



XC958

— WHEEL LOADER —

All Rights Reserved

Materials and specifications are subject to change without notice.
Featured machines in photos may include additional equipment.
See your XCMG dealer for available options.

www.xcmg.com

XCMG Regional Departments:

Europe	(+86-516) 87739703 87739218 87739537
West Asia & North Africa	(+86-516) 87739702 87739202 87739223
Asia-Pacific	(+86-516) 87739128 87739500 87739529
Africa	(+86-516) 87735009 87739222 87739283
Central Asia	(+86-516) 87739236 87739239 87739538
America	(+86-516) 87739285 87739551 87739710

XUZHOU CONSTRUCTION MACHINERY GROUP IMP. & EXP. CO., LTD

Add: No.1, Tuolanshan Road, Xuzhou Economic Developing Zone, Jiangsu, China 221004

Fax: (+86-516) 87739230

E-mail: export@xcmg.com



A large blue and yellow wheel loader, model XC958, is shown in a rugged, rocky environment. The loader's bucket is raised and tilted. The machine is positioned on a rocky shore with mountains in the background under a cloudy sky. A semi-transparent blue overlay covers the right side of the image, containing text and a logo.

OVERVIEW

- XC958 wheel loader is a new generation of loader. XCMG makes full use of Group's international R&D platform to integrate global technology research and development resources to create international advanced and completely independent intellectual property rights. This model is powerful, rugged, energy efficient, safe and comfortable, and easy maintenance and is the optimal choice for ports, mines, coals, and engineering construction and so on.
- XC958 is equipped with Euro II emission engine, XCMG transmission, XCMG dry drive axle. The whole machine has significant advantages in terms of reliability, energy saving, high efficiency and comfort, and has reached the international advanced level.

X

C

9

5

8



PERFORMANCE HIGHLIGHTS

Traction traction can reach 155kN, maximum lifting force can reach 175KN, three items and time $\leq 10s$, strong and efficient.

The bucket can be equipped with a 2.5~5.0 m³ bucket depending on the material and working conditions. It can also be equipped with a quick changer to quickly switch between different buckets and tools to meet the various needs of customers.

ENERGY-SAVING, AND HIGH EFFICIENCY

The most advanced energy-saving technology in the application industry: equipped with engines that meet Euro II emission standards, XCMG proprietary engine curves, with a combination of energy-saving effects of more than 15%. The proprietary engine curve of XCMG, using economic efficiency of 3%; intelligent thermal management system uses ultra-large radiator and automatic stepless speed regulation low-speed fan to reduce energy loss while reducing radiation noise pollution; The load sensing hydraulic system is capable of dispensing the fuel supply as needed when the work unit is actuated. At the same time, command-based control makes the operator's work easier and more fun.

CONVENIENCE

The new digital combination meter, the vehicle running status and various types of information at a glance;

Side-turn cab and large-angle open hood for complete display of all key components for easy maintenance and service;

Single row of large tone radiators, upturned back cover;

A large maintenance window on the side of the frame provides users with first-class equipment maintainability;

Ladders are placed at appropriate locations on the front and rear frames and counterweights for ease of operation;

Reasonable extraction of oil drain and oil drain devices, reasonable pressure measurement points for routine maintenance and testing.



Digital combination appearance



Cab rollover



Uplift the rear hood



Centralized pressure measurement



Concentrated water and oil release

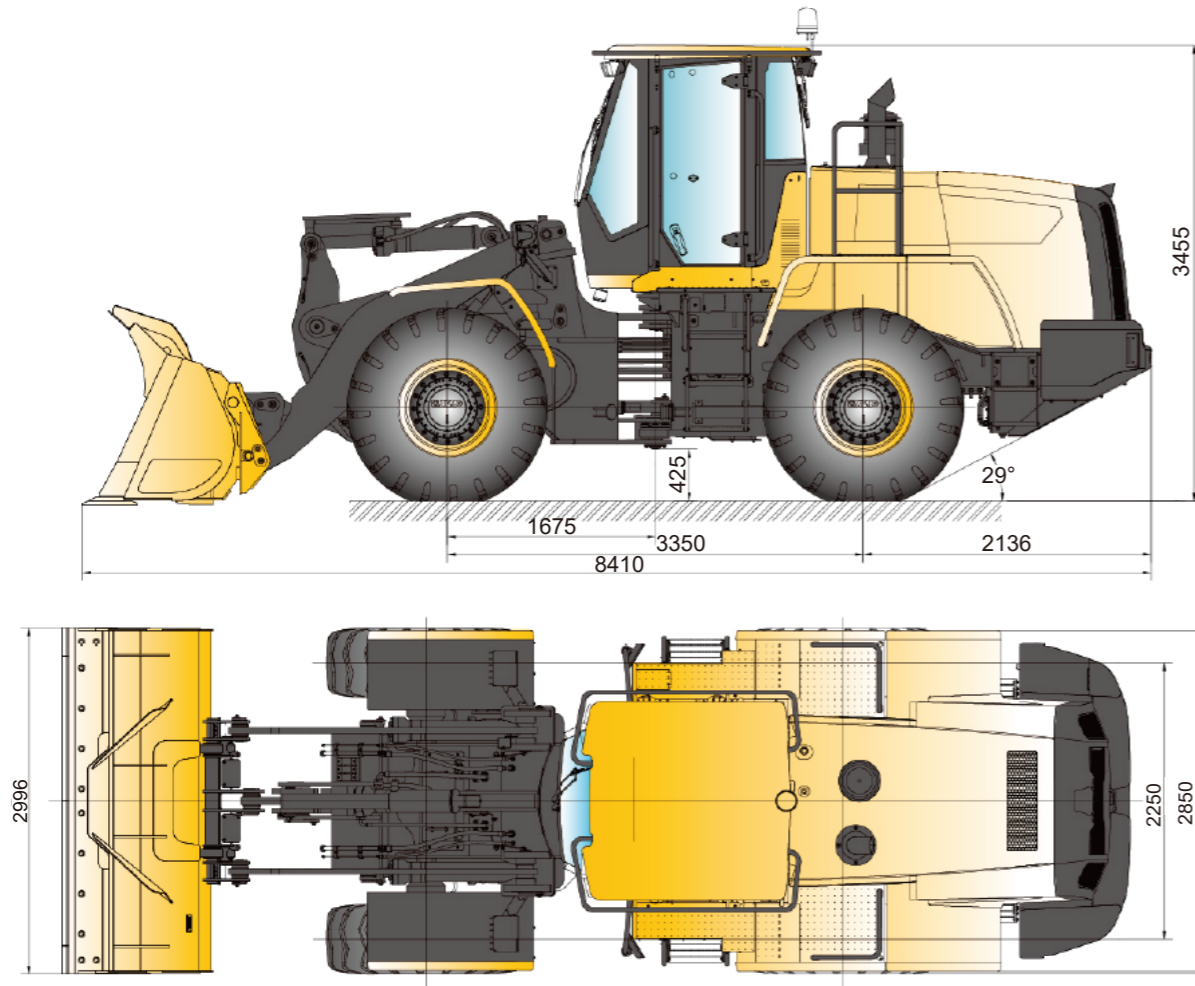
MAIN PARAMETERS

Items

Rated operating load	5500	kg
Bucket capacity	3.2	m ³
Machine weight	17200±300	kg
Dumping height	3070	mm
Dumping distance	1240	mm
Wheel base	3350	mm
Tread	2250	mm
Height of hinge at maximum lift height	4150	mm
Working height(fully lifted)	5665	mm
Max.breakout force	175±5	kN
Max.horse power	155±5	kN
Ultimate tipping load/kg(straight)	13380	kg
Ultimate tipping load/kg(full steering)	≥11000	kg
Hydraulic cycle time-raise	≤5.3	s
Hydraulic cycle time-down	≤3.2	s
Hydraulic cycle time-tilt	≤1.5	s
Total hydraulic cycle time	≤10	s
Min. turning radius over tyres(tire center)	5725	mm
Min. turning radius over tyres(tire outward)	6025	mm
Min. turning radius over tyres(bucket outward)	6765	mm
Articulation angle	40	°
Gradeability	29	°
Tyre size	23.5-25	
Overall machine dimension L×W×H	8380×2996×3455	mm
Engine Model	WD10G220E21	
Emission standards	GII	
Rated Power/Speed	162/2200	kW/rpm
Peak Torque/Speed	860/1400~1600	N.m/rpm
Fuel Tank	300	L
Hydraulic Tank	145	L
Coolant/L	45	L
DEF tank/L	/	L
Engineoil/L	20	L
Transmission oil/L	45	L
Front and Rear axle oil/L	2×27	L
Transmission Pattern	planetary transmission	
Transmission gear	F2R1	
Travel speed	I -gear(F/R)	13/17 km/h
	II -gear(F/R)	40 km/h
	III-gear(F/R)	/ km/h
	IV-gear(F/R)	/ km/h
Front and Rear axle differential pattern	common differential	



OUTLINE DIMENSIONS



SPECIFICATION OF VARIANT ATTACHMENTS

Item	Log clamp I	Interchangeable paired/	Toad's mouth clamp	staggered clamp	Unit
Max. clamping diameter	1090	100	980	1470	mm
Dump clearance at maximum lift(front dump)	2960	2840	3030	3200	mm
Reach at maximum lift(front dump)	1770	1500	1760	2110	mm
Max. dumping angle(work tool)	40	45	42	27	°
Max.opening	1600	1550	1900	1660	mm
Max.working width(snowplow)	/	/	/	/	mm
overall high at maximum lift	/	/	/	/	mm
working tool dimension	2050x2200x1630	1745x2350x1440	2160x1780x2030	2330x2580x1930	mm
weight of working tools	1975	1645	2240	2525	kg
operation weight	17810	17480	18075	18360	-
Overall machine dimensions-l*w*h	8715x2850x3455	8685x2850x3455	8835x2850x3455	8920x2850x3455	-

Item	G rasping grass machine	staggered clamp	Snowplow	Pallet fork	Unit
Max. clamping diameter	130	/	/	/	mm
Dump clearance at maximum lift(front dump)	3030	3030	/	3250	mm
Reach at maximum lift(front dump)	2150	1450	/	1870	mm
Max. dumping angle(work tool)	30	40	/	27	°
Max.opening	2900	/	/	/	mm
Max.working width(snowplow)	/	/	3800	/	mm
overall high at maximum lift	/	/	/	3900	mm
working tool dimension	1950x2500x1400	1840x3030x1640	1935x3800x1005	1950x2500x1290	mm
weight of working tools	1890	2950	2240	1125	kg
operation weight	17725	18785	18075	16960	-
Overall machine dimensions-l*w*h	8860x2850x3455	8600x3030x3455	8710x3800x3455	8525x2850x3455	-